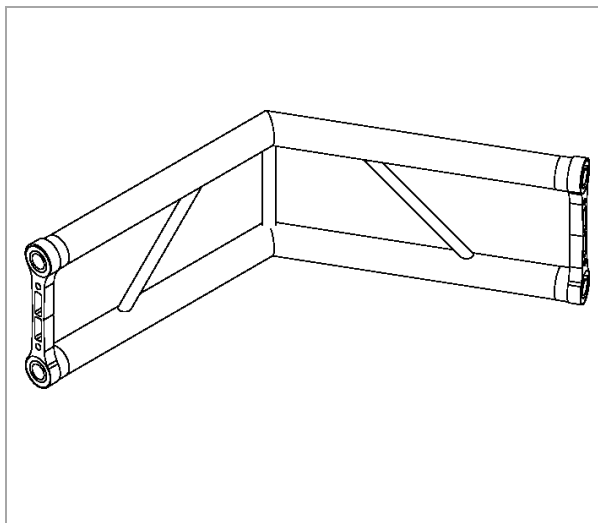


TECHNICAL SPECIFICATION



Section	Flat 40 cm long sides
Material	Aluminium EN AW 6082 T6
Ends	Aluminium casting plate EN AB-44100
Connection	SSF02 – KB2
Weight	3.40 kg
Welding	TIG UNI EN 9606-2:2006
Main tubes	Ø 50x2 mm
Diagonals	Ø 20x2 mm

INERTIAL PROPERTIES

Area / Area	(A)	6.02	cm ²
Elastic modulus / Modulo Elastico	(E)	700.000	Kg / cm ²
Moment of inertia / Momento d'inerzia	(Iy)	1843	cm ⁴
Elastic section modulus / Modulo di resistenza elastico	(Wy)	92	cm ³