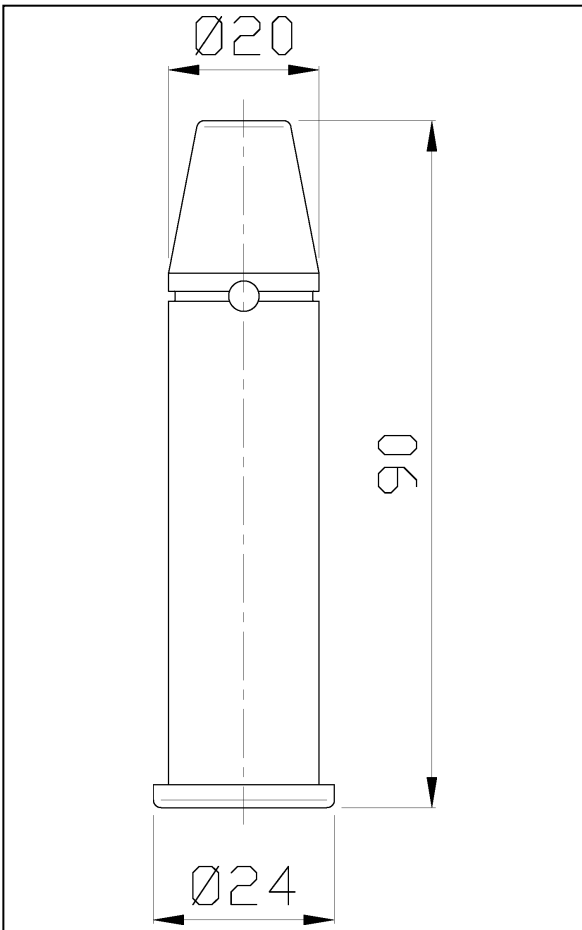




Kit components: 4 cylindrical steel pins, 4 safety R-clip



**TECHNICAL DATA**

Dimension:	Ø24 x 90 mm (x4)
Pin material:	C45 hardening and tempering Steel
Weight:	0,85 kg
compatibility:	<b>D60-AR</b> (ASTROroof diagonal)
Surface finish :	Galvanized