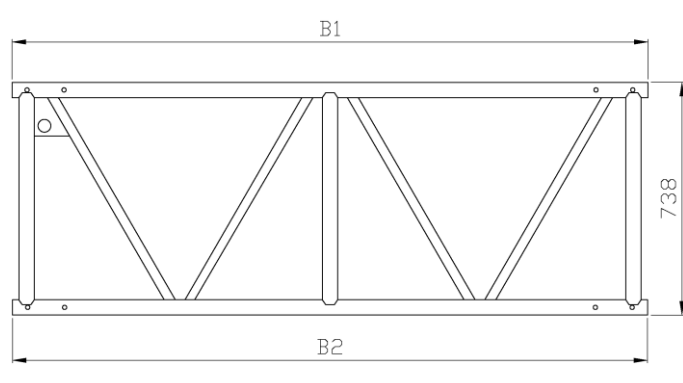
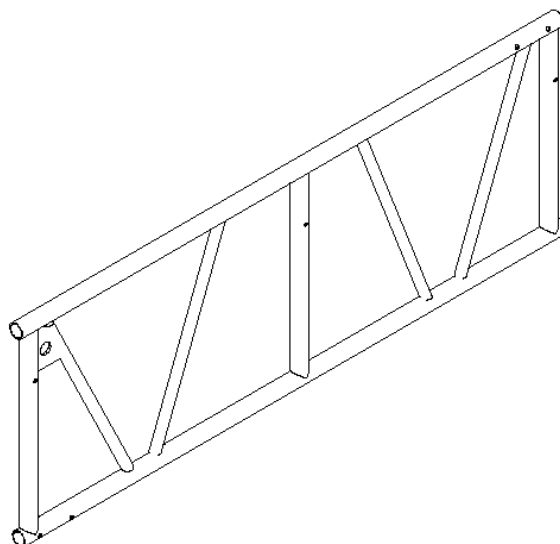


Flat section truss 74cm long sides with positioning indicator
Modulo trave monofaccia lato lungh. 74cm con indicatore di posizionamento

FLAT SECTION TRUSS – H74			
Code	Length B1 (mm)	Length B2 (mm)	Weight (kg)
H74 500	985	982	3.0
H74 1500	1485	1482	9.50
H74 2000	1985	1982	11.00



INERTIAL PROPERTIES

Cross section area (A)	11.10 cm ²
Elastic modulus (E)	700 000 Kg / cm ²
Moment of inertia (Iy)	13168 cm ⁴
Elastic modulus of section (Wy)	356 cm ³
Moment of inertia (Ix)	27 cm ⁴
Elastic modulus of section (Wx)	11,25 cm ³
Right weight	5.00 Kg/m

TECHNICAL DATA

Section:	Flat section 74 cm
Material:	Aluminium EN AW-6082 T6
Connection:	K415HD
Welding:	TIG (UNI EN 9606-2:2006)
Top chord:	Ø48x4mm (EN AW-6082 T6)
Bottom chord:	Ø48x4mm (EN AW-6082 T6)
Diagonal braces:	Ø30x2,5mm (EN AW-6082 T6)
Vertical Braces:	Ø48x4mm (EN AW-6082 T6)