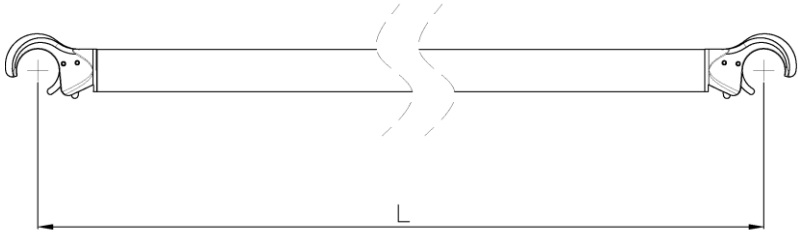


H74 Diagonal Bracings

Aluminium diagonal bracings with spring clamps
Diagonali di controvento in alluminio con ganci a molla

DIAGONAL BRACINGS		
Code	Length L (mm)	Weight (kg)
<u>D1637GM</u>	<u>1637</u>	<u>1.7</u>
<u>D2447GM</u>	<u>2383</u>	<u>2.6</u>




INERTIAL PROPERTIES

Cross section area (A)	3.02 cm ²
Elastic modulus (E)	700 000 Kg / cm ²
Moment of inertia (I _y)	8,70 cm ⁴
Elastic modulus of section (W _y)	3,48 cm ³
Moment of inertia (I _x)	8,70 cm ⁴
Elastic modulus of section (W _x)	3,48 cm ³
Right weight	1.06 Kg/m

TECHNICAL DATA

Section:	Ø50x2mm
Material:	Aluminium EN AW-6082 T6
Connection:	GM (Spring clamp)
Welding:	TIG (UNI EN 9606-2:2006)